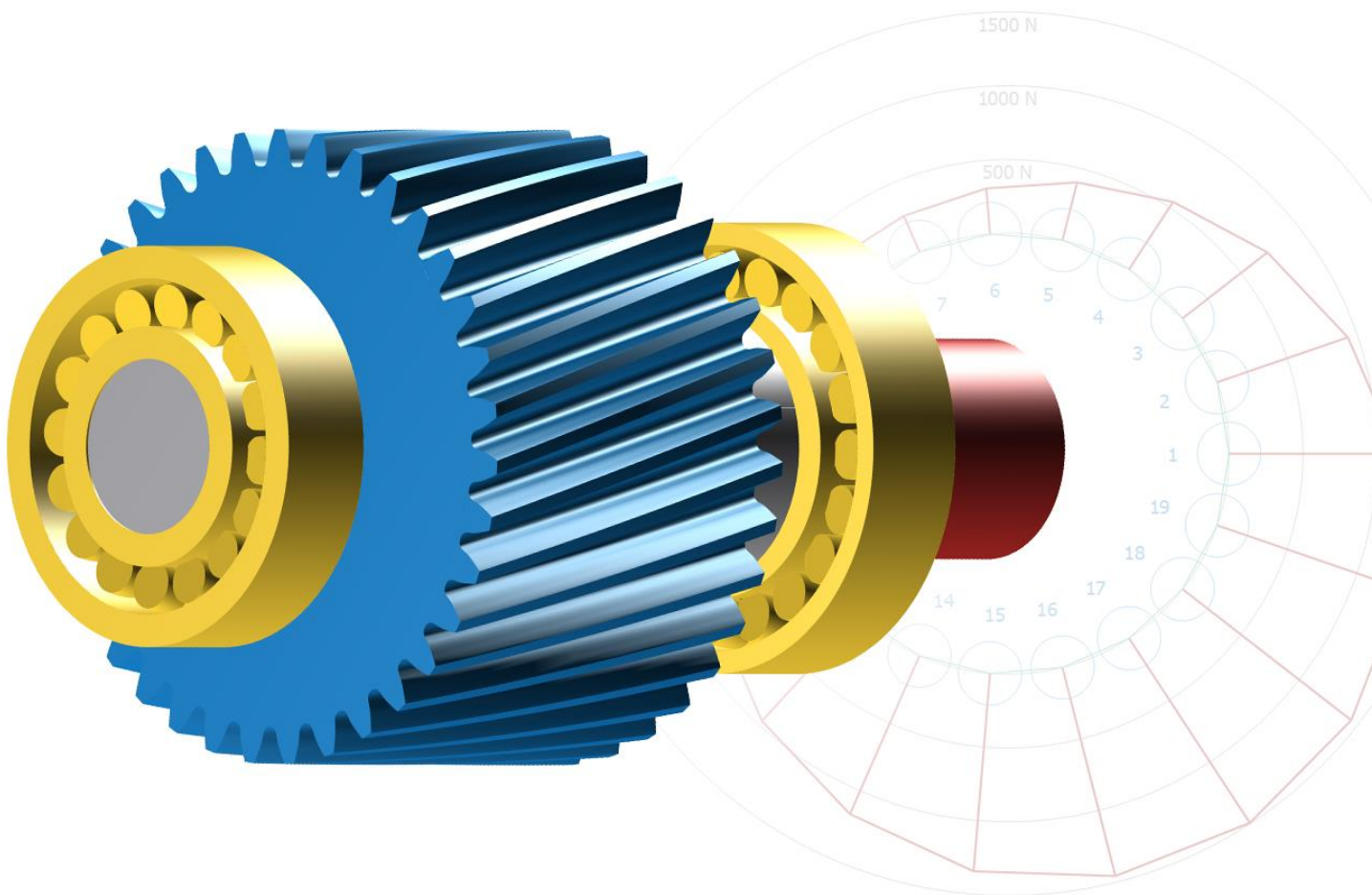


Basic Training

Shafts and Bearings:
Modeling, Strength and Lifetime

2 Live Stream Sessions



General Scope

- General settings
- Maintenance of technology database (materials, bearings etc.)
- Settings and adaptations for reports, possibilities of project administration
- Generation and application of calculation templates, settings in kiss.ini

Shaft Editor

- Shaft modeling in shaft editor and use of elements tree, interpretation of results
- Sizing of bearings
- Sizing of cross sections for shaft strength and beam models

Shaft Calculation

- Shaft calculation including calculation of deformation
- Overview on shaft strength calculations
- Explanations to graphics and reports
- Various stress cases of gear modeling effects
- Consideration of temperatures

Bearing Calculation

- Overview of the ISO calculation methods
- Influence of bearing stiffness on displacements and forces
- Influence of inner geometry on bearing lifetime and bearing liability

